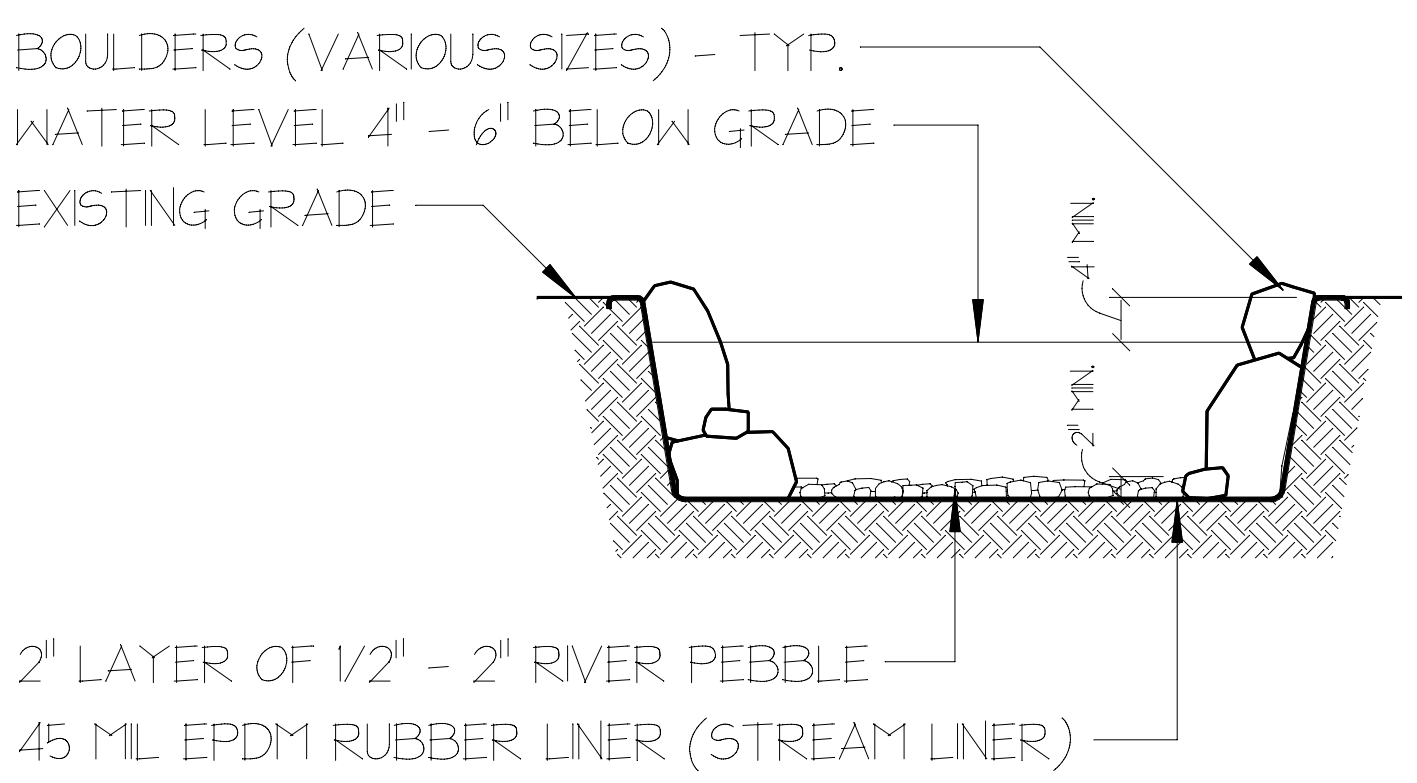
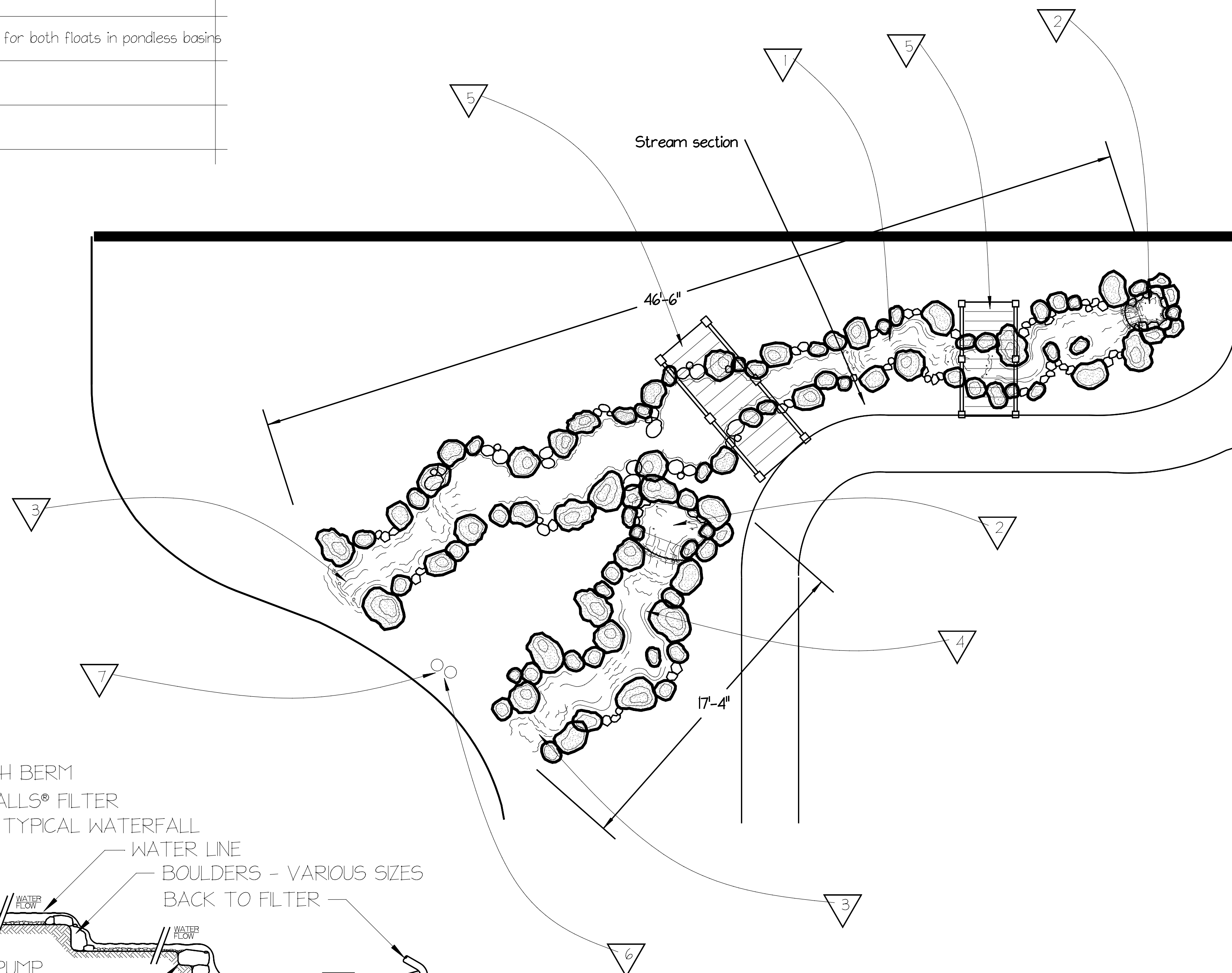


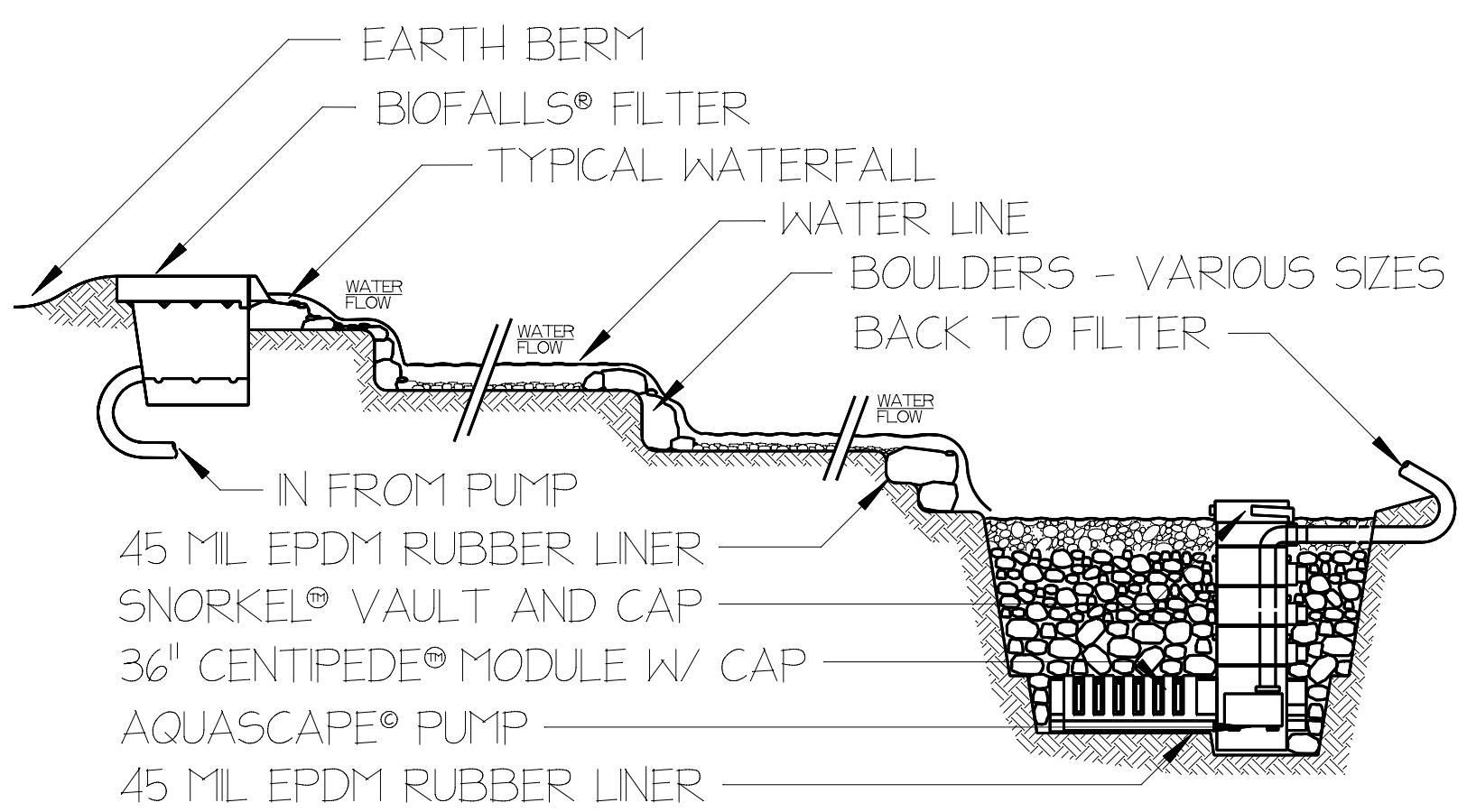
CONSTRUCTION LEGEND:	
DESCRIPTION	
1	Main Stream approx 47 ft
2	Bio Waterfalls w/filtration media
3	Pondless Basin w/pump & water hook up
4	Second Stream & Waterfall approx 18 ft
5	Wood Bridge (wood composite construction)
6	Electrical Junction Box for Both Waterfalls
7	Water shut off for both floats in pondless basins
8	
9	



DEEP STREAM SECTION  
© AQUASCAPE DESIGNS 2004

**Waterfall & Stream Material**

Three Rivers Boulders will be used though out Waterfall and stream areas. These boulders will be used in the ratio in tons 2-1-2. The rock will be mixed using 6-12 inch rock, 12-18 inch rock, and 18-24 inch rock. The flat areas covering the bed of the stream will have installed a rainbow rock consisting of a 3/8 inch minus gravel & a 3/4 - 1 inch rock mix. This will give the stream bed a natural look.



PONDLESS WATERFALL SECTION  
© AQUASCAPE DESIGNS 2004

NOTES

No.	Date	Description

Waterfall & Stream Detail

SCALE	1/4" = 1'-0"
DRAWN BY	Lloyd
CHECKED BY	
DATE	
DATE OF PRINT	

PROJECT NO.	
SHEET NO.	2